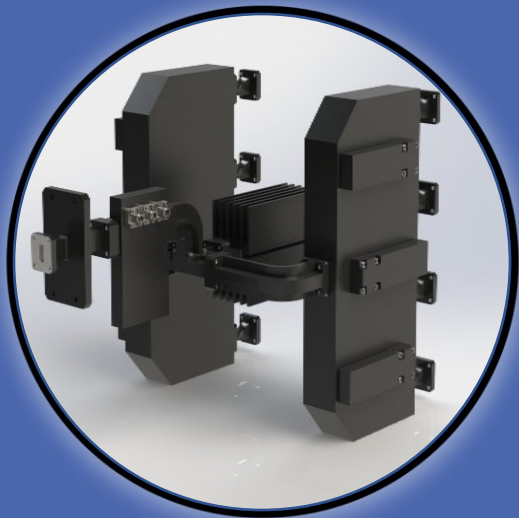


WR28 8-Way Combining System Assembly



Description

The WR28 Combining System Assembly is a precision-designed device that operates with exceptional stability and precision within the 26.5–40.0 GHz frequency band. This compact but powerful system excels in efficiently combining power from multiple RF sources, employing an 8-way combiner and cross-guide coupler integration. This assembly's versatility offers the capability for signal sampling through the cross-guide coupler. This functionality facilitates not only input signal sampling but also monitoring of output power levels. At its core, the assembly features six Magic Tees, which controls signal combination by adjusting amplitudes and phases, resulting in seamless signal merging. For signal reliability and source protection, high-power terminations are incorporated at the loaded ports, ensuring uninterrupted operation. Furthermore, the assembly is designed for ease of use, featuring a bulkhead to simplify connections at the output interface. Whether used in **high-performance amplifiers, radar systems, or other critical applications**, this assembly is a testament to precision, reliability, and signal quality within the realm of RF systems.



Electrical Specifications

Frequency	: 26.50 – 40.00 GHz
VSWR - Input	: 1.70: 1
VSWR - Output	: 1.60: 1
Insertion Loss	: 1.2 dB
Isolation	: 20.0 dB
Nominal Coupling – Forward	: 40.0 dB ± 1.5 dB
Nominal Coupling – Reverse	: 30.0 dB ± 1.5 dB
Power Handling - Average	: 200 W CW

Mechanical Specifications

Waveguide Size	: WR 28
Interface – Input Ports	: UG-599/U Square Cover
Interface – Output Port	: UG-599/U Square Cover
Material	: Aluminum 6061
Finish	: Silver
Paint	: Black

Contact Info :

Address:
5790 rue Donahue,
St-Laurent, QC
Canada, H4S 1C1

Phone:
(+1) 514-664-5790

Website:
www.smcq.com

email:
info@smcq.com



WR28 8-Way Combining System Assembly Typical Measured Results

