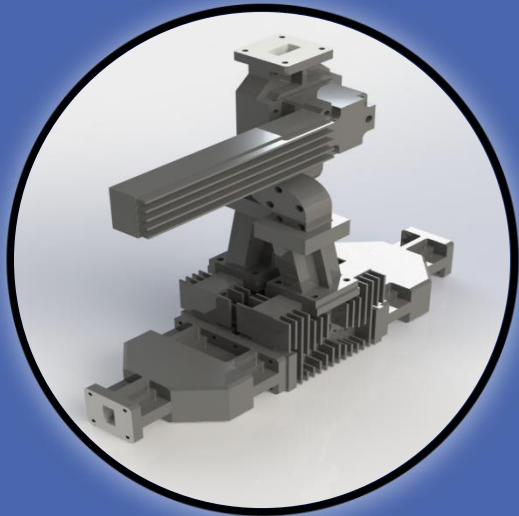


WR62 High Power Ku-Band Circulator



Description

The WR62 High Power Ku-Band Circulator is an indispensable three-port RF device engineered for precise control over the direction of RF signal flow. Comprising two integrated circulators, a Magic Tee, and a high power load, this device exhibits advanced functionality to meet demanding RF signal management requirements. It utilizes two power splitters to evenly and coherently distribute the signal, significantly enhancing its overall power handling capacity. A noteworthy feature is the integration of high power termination at the redundant port of the Magic Tee, enhancing the system's durability and reliability. Operating across the full WR62 bandwidth, the high power circulator maintains a high matching level and minimal insertion loss, making it a versatile choice for applications requiring both high power handling and stringent isolation between ports. Its applications are diverse, including **antenna feeding networks, radar systems, and satellite communication setups**, where precise and dependable RF signal control is paramount for optimal system performance and efficiency.

Electrical Specifications

Frequency	: 12.00 – 18.00 GHz
VSWR - Input	: 1.50: 1
Insertion Loss	: 1.2 dB
Isolation	: 15.0 dB
Power Handling - Average	: 850 W CW

Mechanical Specifications

Waveguide Size	: WR 62
Flange – All Ports	: UG-1665/U Square Cover
Material	: Aluminum 6061
Finish	: SurTec 650
Paint	: Black

Contact Info :

Address:
5790 rue Donahue,
St-Laurent, QC
Canada, H4S 1C1

Phone:
(+1) 514-664-5790

Website:
www.smcq.com

email:
info@smcq.com



WR62 High Power Ku Band Circulator Typical Measured Results

