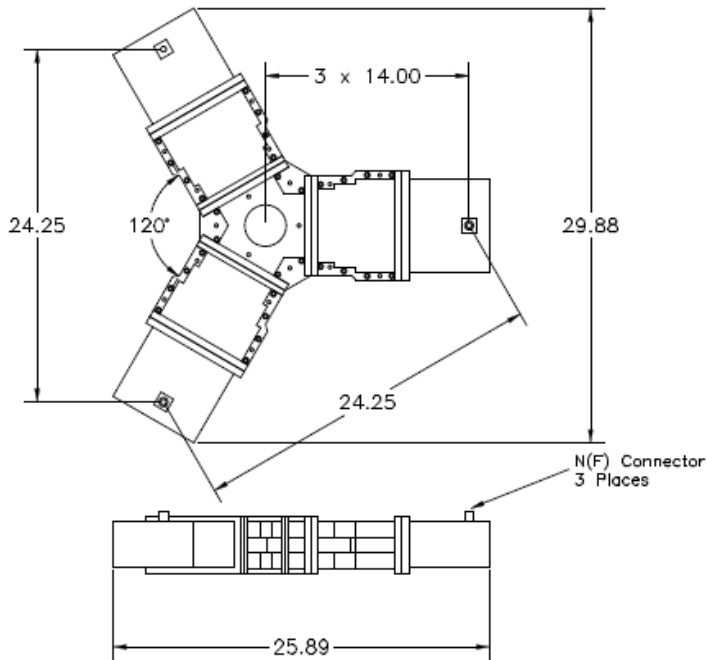


## 1-2 GHz Coax Circulators and Isolators



### SPECIFICATIONS

Frequency Range: 1.0 – 2.0 GHz

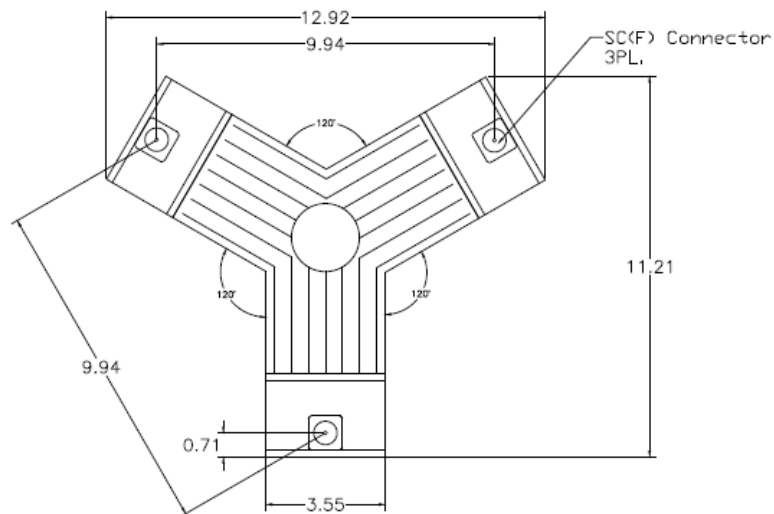
Insertion Loss: 0.6dB

Isolation: 14dB

VSWR: 1.5:1

Power: up to 20 KW peak

## 2-4 GHz Coax Circulators and Isolators



### SPECIFICATIONS

Frequency Range: 2.0 – 4.0 GHz

Insertion Loss: 0.6dB

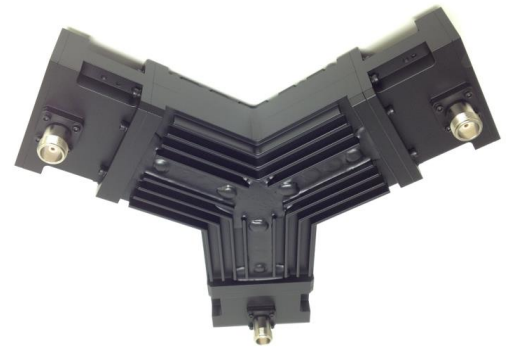
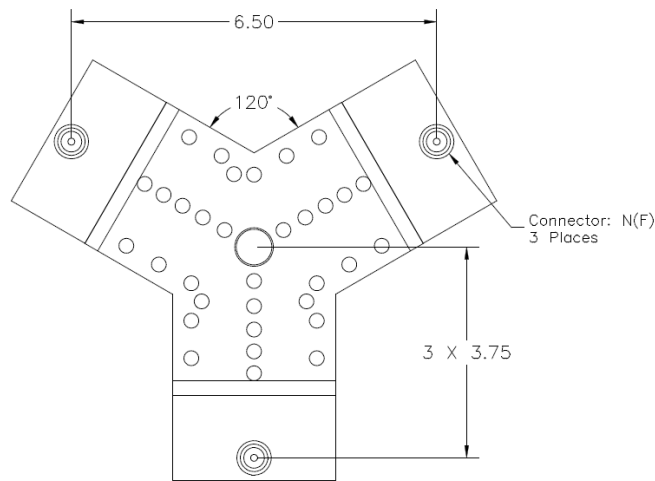
Isolation: 15dB min

VSWR: 1.5:1 max

Power: up to 10 KW peak available



## 4-8 GHz Coax Circulators and Isolators



### SPECIFICATIONS

Frequency Range: 4.0 – 8.0 GHz

Insertion Loss: 0.6dB

Isolation: 15dB min

VSWR: 1.5:1 max

Power: up to 8 KW peak available

