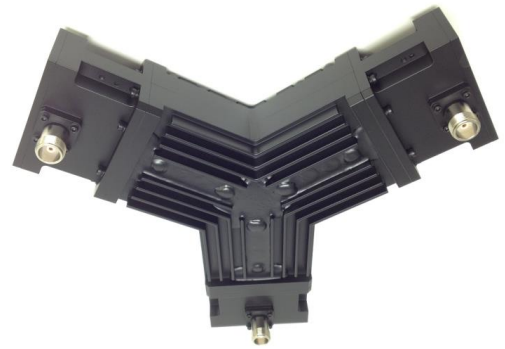
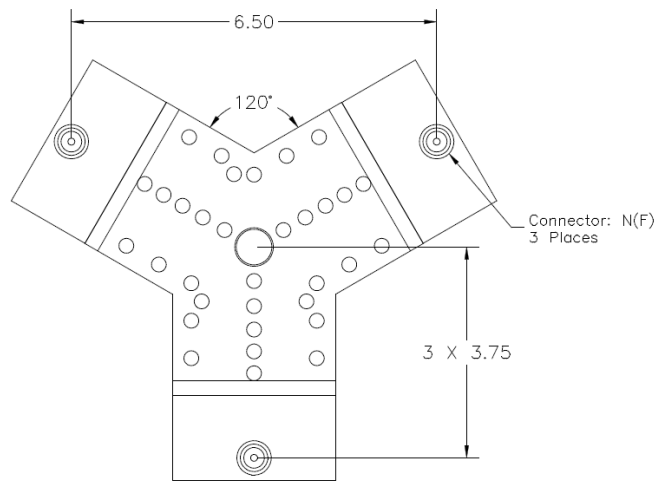


## 4-8 GHz Coax Circulators and Isolators



### SPECIFICATIONS

Frequency Range: 4.0 – 8.0 GHz

Insertion Loss: 0.6dB

Isolation: 15dB min

VSWR: 1.5:1 max

Power: up to 8 KW peak available