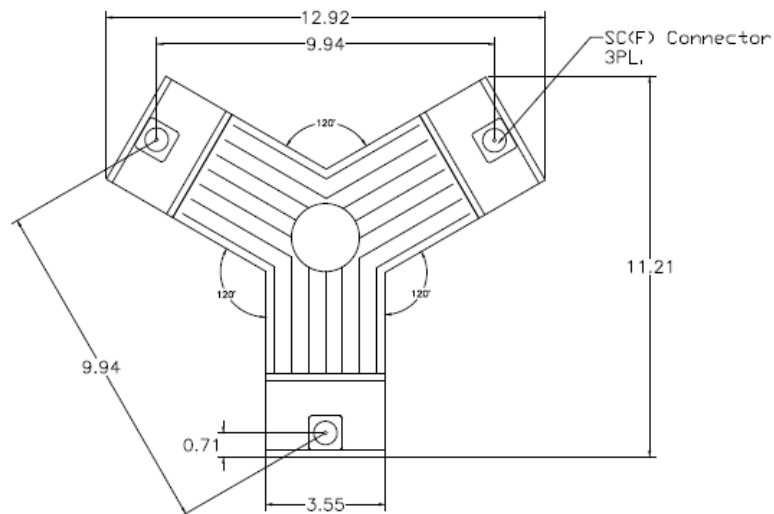


2-4 GHz Coax Circulators and Isolators



SPECIFICATIONS

Frequency Range: 2.0 – 4.0 GHz

Insertion Loss: 0.6dB

Isolation: 15dB min

VSWR: 1.5:1 max

Power: up to 10 KW peak available

